

TILE



Laser Square Liner Instruction Manual



User Safety

- Do not stare into laser beam directly.
- Do not disassemble the instrument or attempt to perform any internal servicing. Repairs and servicing should be performed only by authorized service centers of Level1Lasers.
- This instrument complies with the safety classification standards of laser radiation.



CAUTION: Class II laser <1mW at 635nm.
Do NOT stare into laser beam or aim at another person.
Follow Australian Standards AS2397

www.level1lasers.com.au

Features and Functions

The TILE1 laser square is designed especially for the indoor decoration, construction, and layout. It simultaneously projects two laser lines at right angle for an easy square set out. With an angle scale built in this is an ideal tool for angle layout.

Features:

- Able to simultaneously project two laser lines, which form a 90°angle
- Metric, Imperial scale and angle (0°-90°) scale

Nomenclature



Figure 1

Operation Instructions

Battery Installation

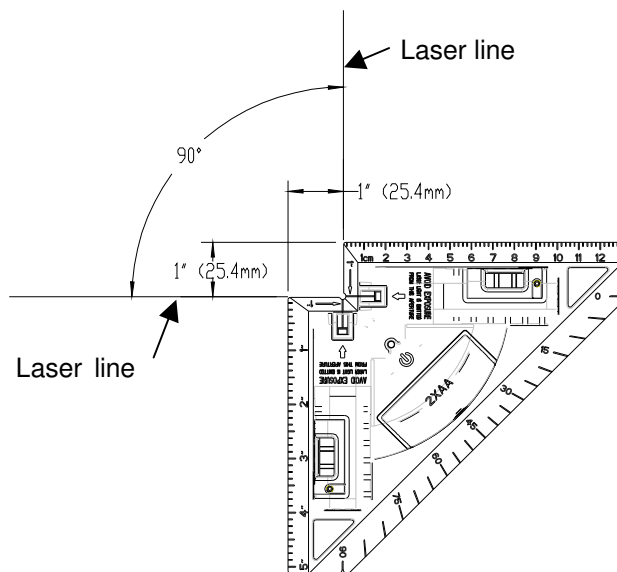
Open the battery cover and insert 2* AA alkaline batteries according to polarity requirement and then close the battery cover.

Power on/off

Press the red power button, the two laser output windows will simultaneously project one laser lines and the power LED will be lighted.

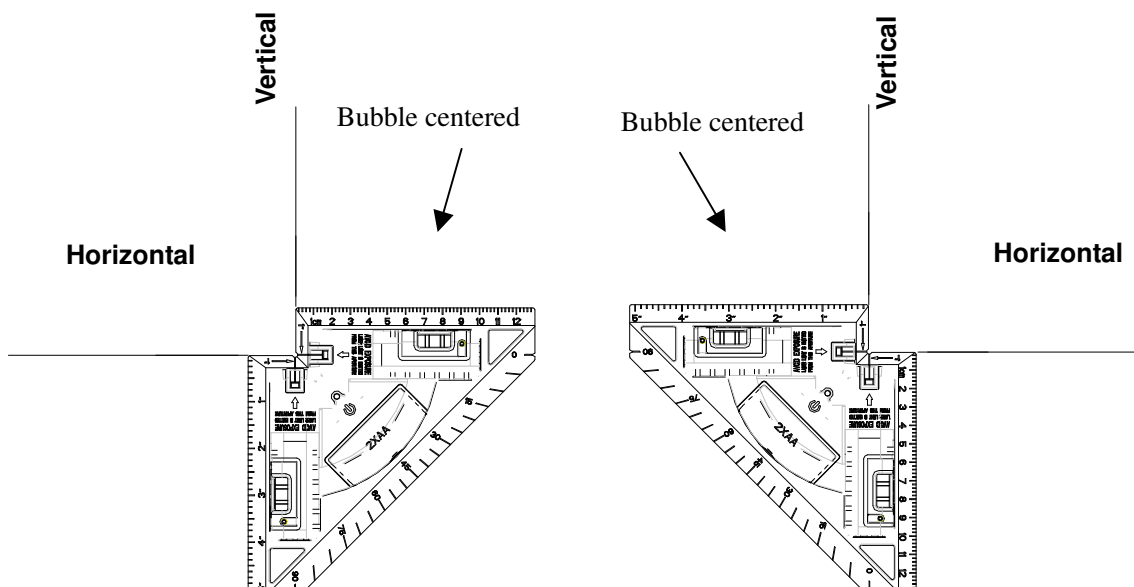
Press the power key again, laser will turn of, and the power LED is extinguished at the same time.

Output form of laser lines



Attaching to wall

As the picture shows, attach LS163III on the wall, adjust it to make the level vial centered, and now the laser lines on the wall is horizontal and vertical.



Technical Specifications

- Wavelength: 635nm
- Laser class: Class II
- Accuracy: $\pm 0.4\text{mm/m}$
- Working temperature: -10°C □ $+45^{\circ}\text{C}$
- Power: 2* AA alkaline batteries
- Size: 155×155×50mm
- Weight: 0.25Kg

Maintenance

- This is a precision leveling instrument should be carefully operated and maintained, and any violent shock or fall will possibly result in damage to the instrument.
- Please turn the laser off before moving or transporting the instrument.
- Do not attempt to disassemble the instrument as this will void warranty.
- Keep the laser clean, especially the laser output window, and remove dust by gently wiping with a soft clean cloth.
- Take the batteries out when the instrument is not in use for an extended period, and keep the instrument in the carry case when not in use.
- Do not put unit away wet. It is recommended that this unit not be used in damp conditions

For further warranty information please visit

www.level1lasers.com.au