

PLUMB TM

Self-leveling Plumb Laser Instruction Manual



www.level1lasers.com.au

User Safety

- Do not stare into laser beam directly.
- Do not disassemble the instrument or attempt to perform any internal servicing. Repairs and servicing should be performed only by authorized service centers of Level1Lasers.
- This instrument complies with the safety classification standards of laser radiation.



CAUTION: Class II laser <1mW at 635nm.
Do NOT stare into laser beam or aim at another person.
Follow Australian Standards AS2397

Contents

1. Features and Functions
2. Diagram
3. Operation Instruction
4. Calibration Self-Check
5. Technical Specifications
6. Maintenance



1. Features and Functions

The PLUMB1 multi-beam self-leveling dot laser, which simultaneously projects two laser dots for vertical leveling, can supply accurate plumb references for indoor layout and plumb operations.

Features:

- Able to project two laser dots, plumb-up and plumb-down
- Self-leveling, with laser flashing indication and buzzer alarm if beyond range
- Able to connect with camera-tripod through 1/4" screw thread on the bottom of the unit

2. Diagram



Figure 1

1. Power LED
2. Battery-cover fastener
3. Locking knob
4. Locking-status indication



Figure 2

5. Laser output window
6. Laser output window
7. Magnet
8. 1/4" screw thread hole
9. Battery cover

3. Operation Instruction

3.1 Battery installation

Insert 3*AA alkaline batteries as shown according to polarity requirement, then close the battery cover.

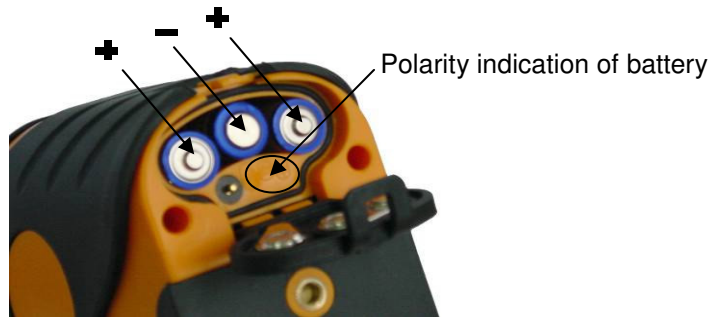


Figure 3

3.2 Power on/off

Unlock the locking knob, the laser turn on and the power LED will light up. Lock the locking knob to turn the laser off. (This will also lock the laser for transport.)



Lock – turn off



Unlock – turn on

When the laser is beyond self-leveling range the laser will flash and give audio alarm

4. Plumb-point accuracy self-check

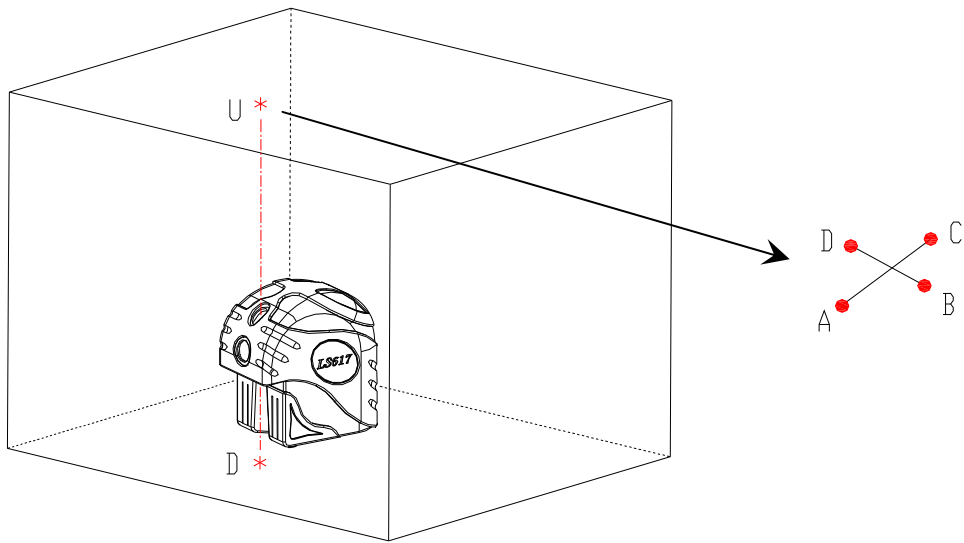


Figure 7

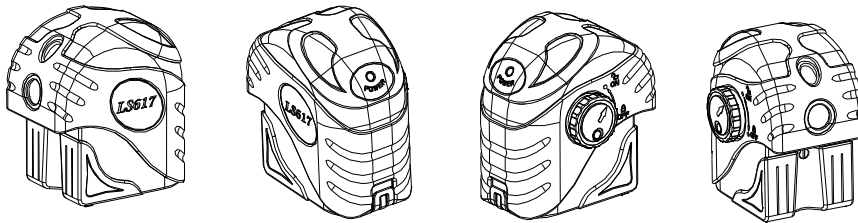


Figure 8

- As shown in the figure 7, put the unit on the ground according to the direction shown in figure 8-1, and mark a point on the ground.
- Power on the unit and make the center of plumb-down point aim at the marked point on the ground. Then take the center of the plumb-up point on the ceiling that is 3m apart from the ground as A.
- Turn the unit 90°(as shown in figure 8-2) and repeat the above step 2, then take the center of the plumb-up point on the ceiling as B.
- Turn the unit 90°again (as shown in figure 8-3) and repeat the above step 2, then take the center of the plumb-up point on the ceiling as C.
- Turn the unit 90°again (as shown in figure 8-4) and repeat the above step 2, then take the center of the plumb-up point on the ceiling as D.
- As shown in figure 7, the maximum distance among A, B C and D should not be over 2mm.

Please return the laser to Level1Laser for recalibration if required

5. Technical Specifications

- Wavelength: 635nm
- Laser class: Class II
- Accuracy: $\pm 2\text{mm}/10\text{m}$
- Self-leveling range: $\pm 3^\circ$
- Working temperature: $-10^\circ\text{C} \sim +45^\circ\text{C}$
- Power supply: 3* AA alkaline battery
- Low voltage indication: Power LED flashing
- Size: 107 x 66 x 115 mm
- Weight: 0.58Kg

6. Maintenance

- This is a precision leveling instrument should be carefully operated and maintained, and any violent shock or fall will possibly result in damage to the instrument.
- Before moving or transporting the instrument, please power off and lock the pendulum to avoid damage to the leveling mechanism.
- Do not attempt to disassemble the instrument as this will void warranty.
- Keep the laser clean, especially the laser output window, and remove dust by gently wiping with a soft clean cloth.
- Take the batteries out when the instrument is not in use for a extended periods, and keep the instrument in the carry case when not in use.
- Do not put unit away wet. It is recommended that this unit not be used in damp conditions



**. For further warranty information please visit
www.level1lasers.com.au**