



UNG6631B

Green 360 Horizontal and Vertical Laser Base Kit

Green Multi 360 Line Laser Instruction Manual

The UNG6631B is an auto levelling 360 degree green multi-line laser. The laser provides horizontal levelling, Vertical alignment, 90 degree square and plumb up and down. The laser features a class 3r <5mW green output. The UNG6631B is ideal for all manner of internal fit out applications and can be used outdoors with an OPTIONAL LLR705 Line Receiver. The laser can mount on to camera style tripod (optional accessory) if required. The laser is powered by a Li-ion rechargeable battery.



Operation

First insert the Li-ion rechargeable battery making sure the three terminal are facing inside the battery compartment. The battery is charged using the supplied USB cable to any USB A charger (not included). To charge remove battery from the laser and plug directly into the battery. Alternatively you can charge the battery inside the unit using the USB C socket below the battery compartment.

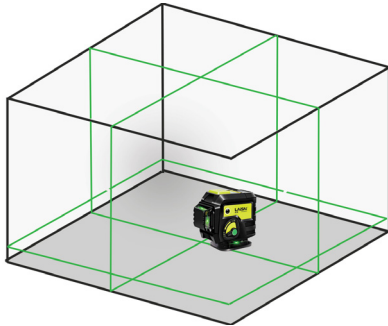


The UNG6631B has an out of level alarm which comprises of a loud beeping sound and the lasers flashing. This indicates the laser is outside of self levelling range. To get into range place the laser on a more level surface. Once in self levelling range the beeping and flashing will stop and the laser lines will be solid.

To power up simply flick the pendulum locking switch to the on position. The Horizontal 360 degree line comes on automatically. Press the H/V button to toggle through all the lines to select the ones you want. To power off simply flick the lock switch back to off.

The UNG6631B features pulse mode which allows the laser to use an OPTIONAL suitable line receiver allowing outdoor use over a 40m range (suitable line receiver the RedBack LLR705). To enable pulse mode simply power the laser up as normal and then press the P button on the control panel, you will see the lasers dim slightly. A suitable laser receiver will now be able to pick up the laser line. A second press of the P button enable flash mode, this may make it more visible in some situations.

The UNG6631B comes with an elevating platform this is useful to fine adjust the height of the horizontal line, particularly for floor levelling applications.



Specifications

Laser Output (H/V): Green Class 3r 500nm - 550nm <5mW

Accuracy: +/- 2mm/10m

Range: Visible up to 40m (Dependent on Ambient Light)

Range: Using OPTIONAL LLR705 receiver 40m (all lighting conditions)

Warranty: 12 Months

Warranty Information – CMI Industries Pty Ltd
The Principles behind our warranty.

- Duration of warranty is fixed and automatic, when we advertise 1 year on a particular model, its two years. No drop down to a lesser time if you forget to register, registration is NOT required just proof of purchase showing date. Please check your specific model for duration of warranty, see the end of this document.
- Although the duration of our warranties are for a particular period it does not mean we will charge you for a genuine warranty failure a month or two outside that warranty period, we believe in a fair go.
- Even though a product shows signs of accidental damage, scratches and the like, we will not automatically fail the warranty claim, if the fault is NOT caused by a drop or misuse and is a genuine warranty failure then we will cover it.
- Our aim is to return repaired or replaced products as soon as possible as we know that being without your tool can be inconvenient. Our goal is a 72 hour turnaround (3 working days) after receiving it. Sometimes, however, a product with an intermittent fault may need extended testing to make sure we have made a full repair.
- Calibration is not covered by warranty much the same as the wheel balance on your car is not covered by warranty.

Now The Details and Legals

CMI Industries Pty Ltd provides consumers with a warranty to our products, this is in addition to the requirements of any relevant legislation such as the Competition and Consumer Act 2010.

Definitions:

"CMI", "We" or "Our" refers to CMI Industries Pty Ltd (ABN 29 102 713 922) of Unit 2 181-183 Thompson Rd, Bell Park, Victoria 3215 ph 1800 769 858

"You" or "Consumer" refers to the initial purchaser of the product.

"Product" refers to goods manufactured by or for CMI Industries Pty Ltd under the brands of RedBack Lasers, Level1Laser and UniLevel and include Laser and Optical Levels, Measuring tools and accessories.

"Material" refers to material or component used in the construction and manufacture of the product.

"Workmanship" refers to handling, assembly and manufacturing processes done by or for CMI Industries Pty Ltd in order to manufacture the products.

"Warranty Period" varies depending on brand and model sold by CMI please see table at end for your products warranty period. Warranty period is from original purchase date only, no extension is made in the event of warranty replacement products being supplied or time spent being repaired.

Our goods come with guarantees that cannot be excluded under the Australian Consumer Law. You are entitled to a replacement or refund for a major failure and for compensation for any other reasonably foreseeable loss or damage. You are also entitled to have the goods repaired or replaced if the goods fail to be of acceptable quality and the failure does not amount to a major failure. CMI warrants that our products will be free from defects in material and workmanship for the stated period for the product supplied (see "warranty period" following)

CMI promises to repair or replace, free of charge, the product or part of product if found to be faulty due to defective workmanship or materials within the duration of the warranty stated as long as the following terms and conditions are met;

- Product must not have been misused or abused, must not have incurred accidental damage or had un-authorized repair or tampering that has caused or contributed to its fault or failure.

- You must contact CMI by phone, mail or email immediately when a fault or defect has become apparent and within the warranty period.

- Product must be returned to store of purchase or directly to CMI, we will cover cost of postage only when sent by our reply paid Australia Post service (Australian Mainland and Tasmania only) details provided upon phone, post or email with us.

- CMI will cover cost of freight back of repaired or replaced product to original purchase store or you directly (depending on how it was sent Australian Mainland and Tasmania only).

- CMI will determine whether repair or replacement of product or part of product will be made on the merits of each case.

- Further exclusions in this warranty include damage or defect caused by use of non-original accessories or parts, damage in transportation, normal wear and tear, damage through moisture, damage due to electric surge, failure due to neglect or damaged caused by adjustments not outlined in CMI's instructions.

Subject to the requirements of all applicable Australian Acts or legislation and to the extent permitted by law, CMI accepts no liability (whether expressed or implied) of any nature whatsoever for any loss of earnings, hiring of replacement equipment, inaccurate work carried out by the consumer or agent, damage or injury arising as a result of any fault in the product. It is the consumer's responsibility to maintain good working practices and regularly test their tools for accuracy and serviceability.

Calibration of the product is not covered by warranty subject to the requirement of all applicable Australian Acts or legislation and to the extent permitted by law.

Any product returned to CMI that fails to fall within the terms and conditions of this warranty will be quoted for repair.

All correspondence through the following channels; CMI Industries Pty Ltd, P.O. Box 7324 Geelong West, Vic 3218. Ph: 1800 769 858 email:via www.redbacklasers.com.au/contacts.html